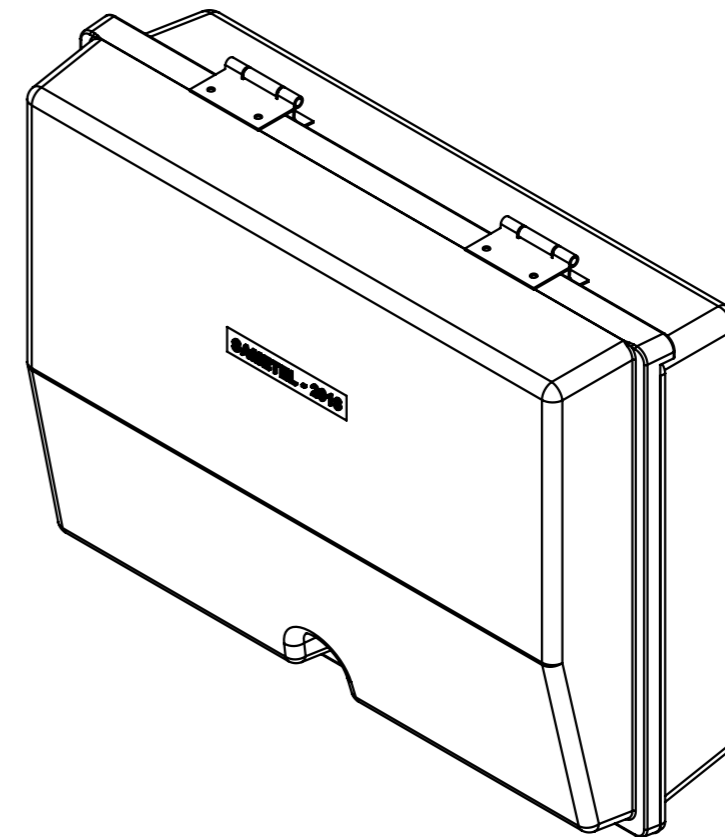
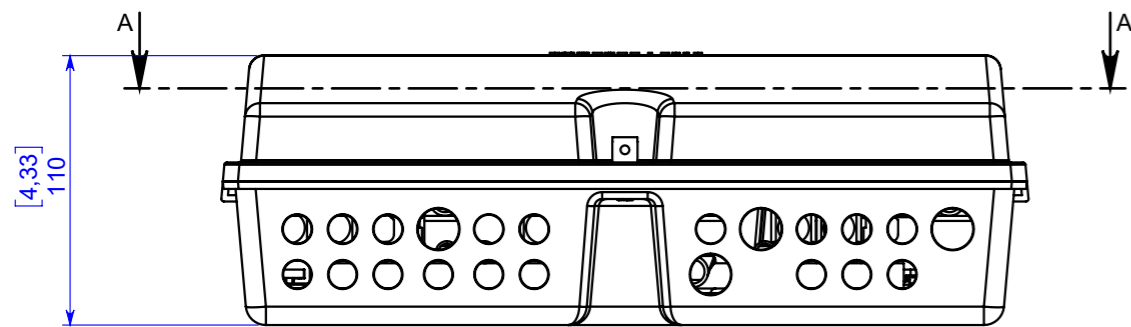


SECTION A-A

SECTION B-B



SAMETEL CORPORATION

Dimension	Tolerance	NAME	SIGN	DATE	PRODUCT NAME:	Q'TY:
1 ~ 50 (mm)	±0.3 (mm)	DRAWN Mr Tới		12/07/2017	EB16732A HOP DOMONO 9 CUC	WEIGHT:
51 ~ 500 (mm)	±0.5 (mm)	CHK'D Mr Tiến		21/10/2018		SCALE: 1:3
501 ~ 3000 (mm)	±0.8 (mm)	APPV'D		21/10/2018		SHEET: 1 / 1
		CODE: CN.QT 01-BM03 MODIFIED: 06 MODIFIED DATE: 03/01/2017			CUSTOMER:	A3
					CODE: EB16834A	